

X-MAX Fume Hood



RDM Industrial Products Inc.

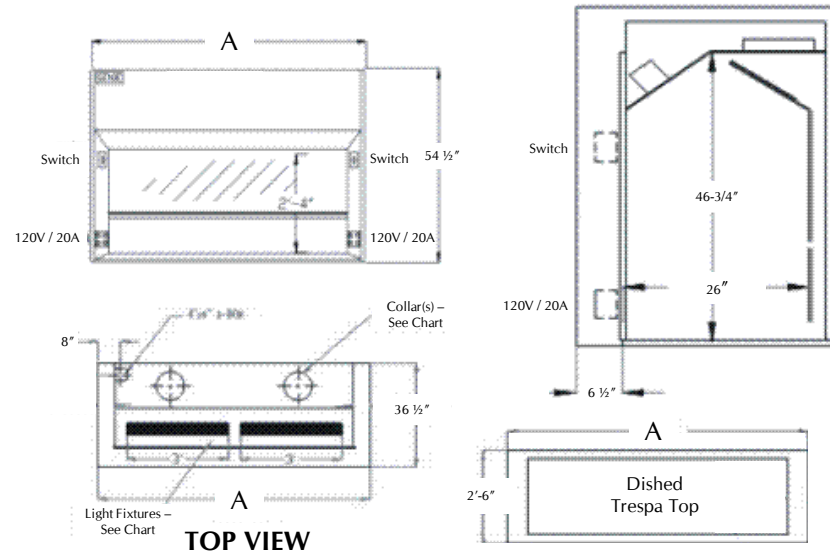
1652 Watson Court
 Milpitas, California 95035
 phone (408) 945-8400 fax (408) 945-8433



Model X-Max Fume Hood: Fume Hood with Larger Side Panels

Provides wider side panels to accommodate your extra fixture needs...

- Chemical-Resistant Phenolic Liner
- Chain-Driven Laminated Safety Glass Sash
- Light & Blower Switches
- Fluorescent Light Fixture(s)
- (2) Total 115v Outlets
- Elec. Junction Box with 7' cord
- Optional Remote Service Fixtures
- Optional Base Cabinets or Table Frame



MODEL #	EXTERIOR DIMENSIONS			INTERIOR DIMENSIONS			TWO TUBE LIGHT FIXTURE(S)	Suggested BASE CABINETS	Shipping Weight
	"A"	DEPTH	HEIGHT	WIDTH	DEPTH	COLLAR SIZE			
X-Max 300	36"	36.5"	54.5"	24"	24"	10" dia.	One 2'	One 3'	385
X-Max 400	48"	36.5"	54.5"	36"	24"	10" dia.	One 3'	One 4'	495
X-Max 500	60"	36.5"	54.5"	48"	24"	10" dia.	One 4'	Two 30"	675
X-Max 600	72"	36.5"	54.5"	60"	24"	12" dia.	One 4'	Two 3'	755
X-Max 800	96"	36.5"	54.5"	84"	24"	Two 12" dia.	Two 3'	Two 4'	895

Custom Hood Sizes Available

Add "S" after model number to indicate split sash
 Add "CS" after model number to indicate combination sash

OPTIONAL ACCESSORIES AVAILABLE:

Remote service fixtures: air, vacuum, gas, nitrogen, cold water, argon, etc.
 Built-in exhaust fan for some sizes (please call for specifications)
 220v electrical
 Explosion proof electrical and lights
 Liners: stainless steel, PVC, fiberglass resin or polypropylene
 Storage cabinets: acid, flammable, vacuum or standard

