

S-MAX Fume Hood



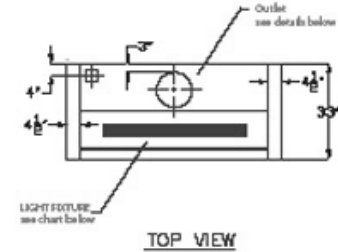
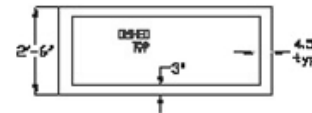
Model S-Max Fume Hood:

Fume Hood with Narrow Side Panels
Provides slimmer side panels to accommodate your larger space needs...

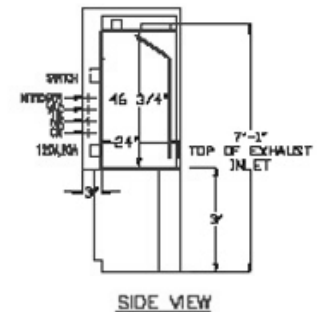
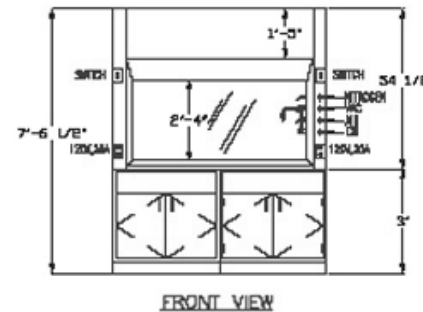
- Chemical-Resistant Phenolic Liner
- Chain-Driven Laminated Safety Glass Sash
- Light & Blower Switches
- Fluorescent Light Fixture(s)
- (2) Total 115v Outlets
- Elec. Junction Box with 7' cord
- Optional Remote Service Fixtures
- Optional Base Cabinets or Table Frame

RDM Industrial Products Inc.

1652 Watson Court
Milpitas, California 95035
phone (408) 945-8400 fax (408) 945-8433



Note: - 4' and 5' hoods generally have one base cabinet
- Fixtures shown are examples only



MODEL #	EXTERIOR DIMENSIONS			INTERIOR DIMENSIONS			FLUORESCENT LIGHT FIXTURE(S)	SUGGESTED BASE CABINETS	Shipping Weight
	WIDTH	DEPTH	HEIGHT	WIDTH	DEPTH	COLLAR SIZE			
S-Max 300	36"	33"	54.5"	27"	24"	8" dia.	One	One 3'	375
S-Max 400	48"	33"	54.5"	39"	24"	10" dia.	One 3'	One 4'	475
S-Max 500	60"	33"	54.5"	51"	24"	10" dia.	One 3'	Two 30"	650
S-Max 600	72"	33"	54.5"	63"	24"	12" dia.	One 4'	Two 3'	725
S-Max 800	96"	33"	54.5"	87"	24"	Two 10" dia.	Two 3'	Two 4'	875

Custom Hood Sizes Available
Add *S* after model number to indicate split sash
Add *CS* after model number to indicate combination sash

OPTIONAL ACCESSORIES AVAILABLE:

- Remote service fixtures: air, vacuum, gas, nitrogen, cold water, argon, etc.
- Built-in exhaust fan for some sizes (please call for specifications)
- 220v electrical
- Explosion proof electrical and lights
- Liners: stainless steel, PVC, fiberglass resin or polypropylene
- Storage cabinets: acid, flammable, vacuum or standard

